



Panel 4: Updates in Biochar and Activated Carbon

Gerardo Diaz

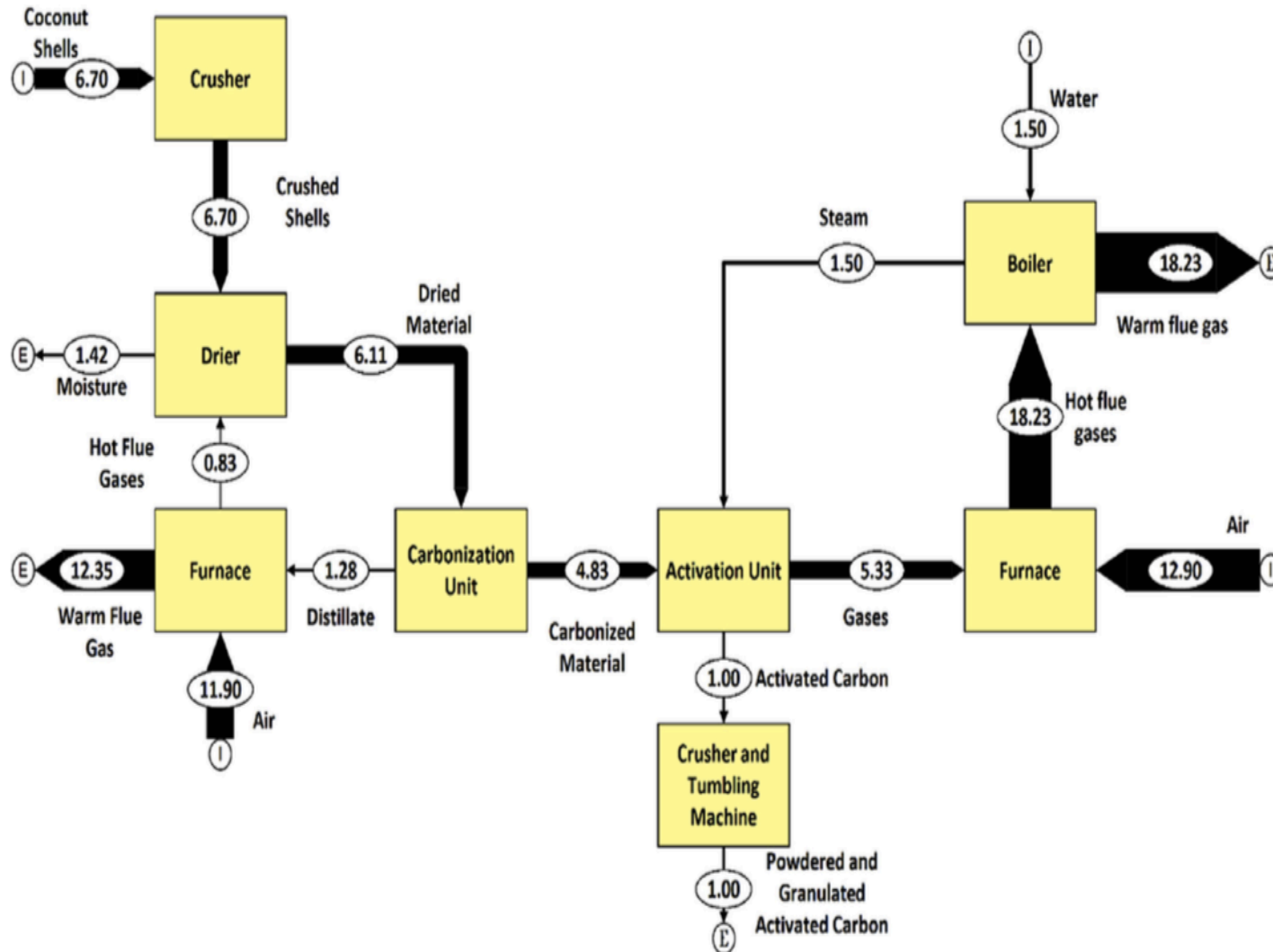
Department of Mechanical Engineering

UC Merced

Physical (Steam) Activation Of Biochar

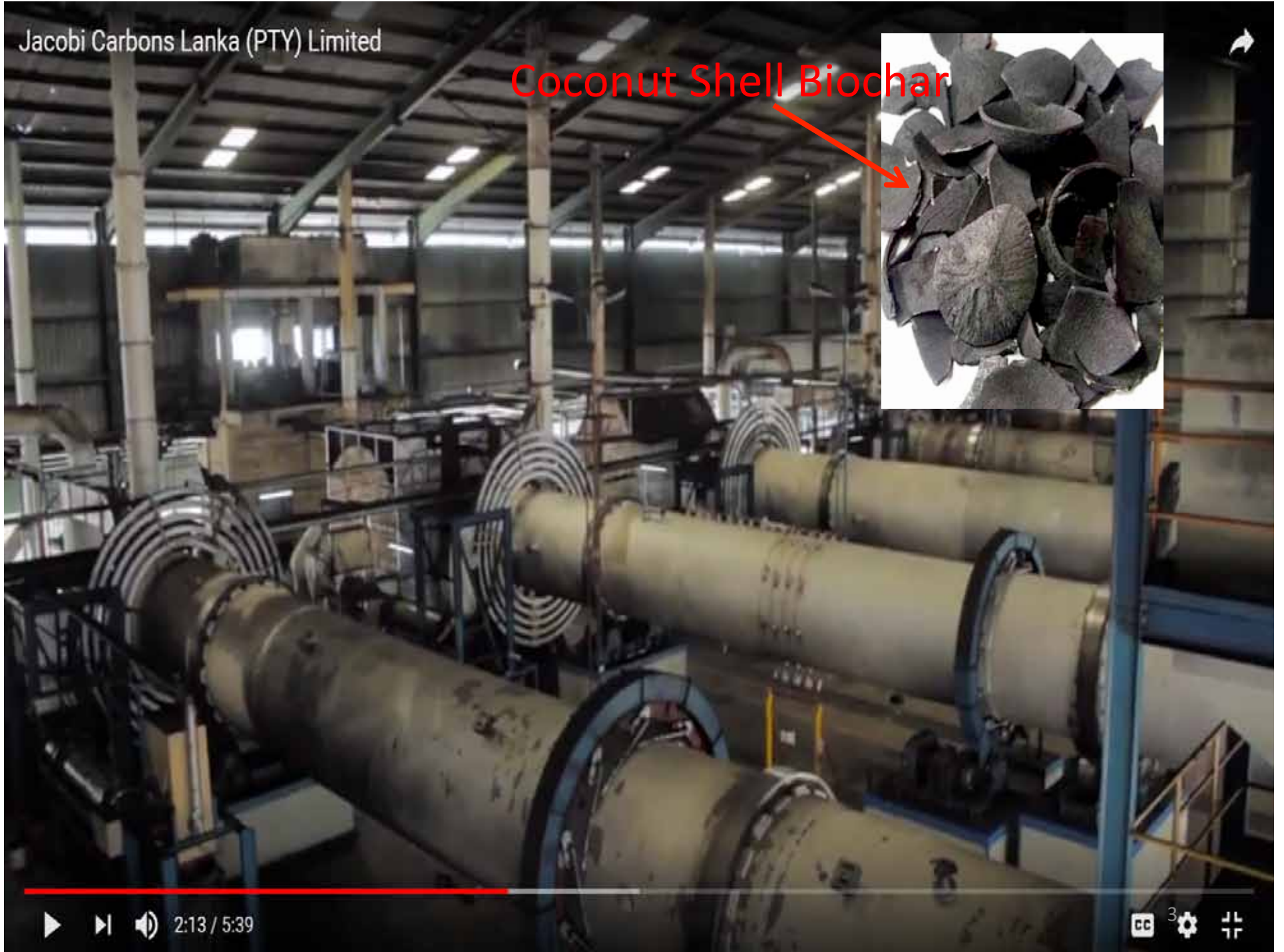
N. Arena et al. / Journal of Cleaner Production 125 (2016) 68–77

71



Jacobi Carbons Lanka (PTY) Limited

Coconut Shell Biochar



▶ ⏪ 🔊 2:13 / 5:39

CC 3 ⚙️ 📏

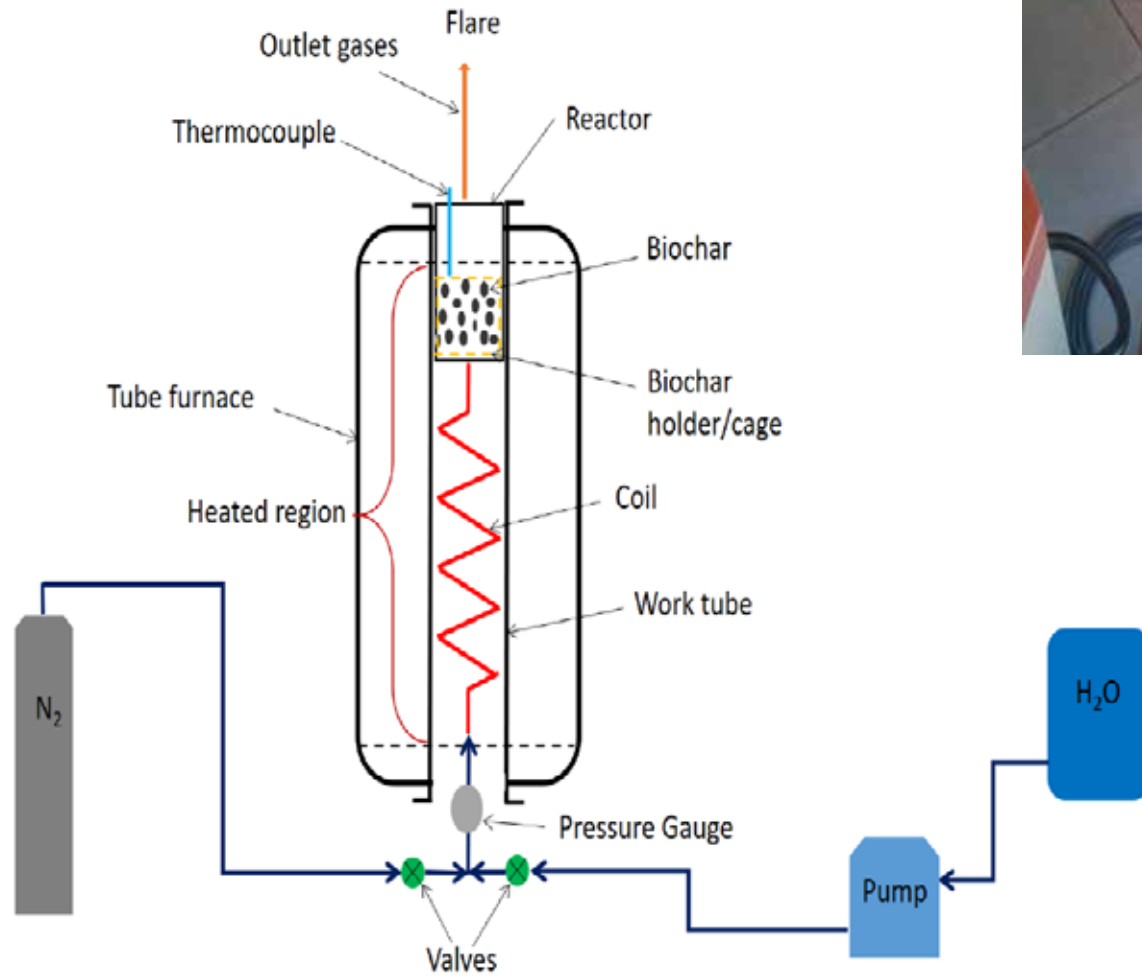
Scalable Production Of Activated Carbon

- Feedstock: biochar from Phoenix Energy
- No use of Nitrogen to heat up biochar
- No use of chemicals to pre/post wash biochar or activated carbon
- Approximates industrial process



[http://
www.phoenixenergy.net/
powerplan](http://www.phoenixenergy.net/powerplan)

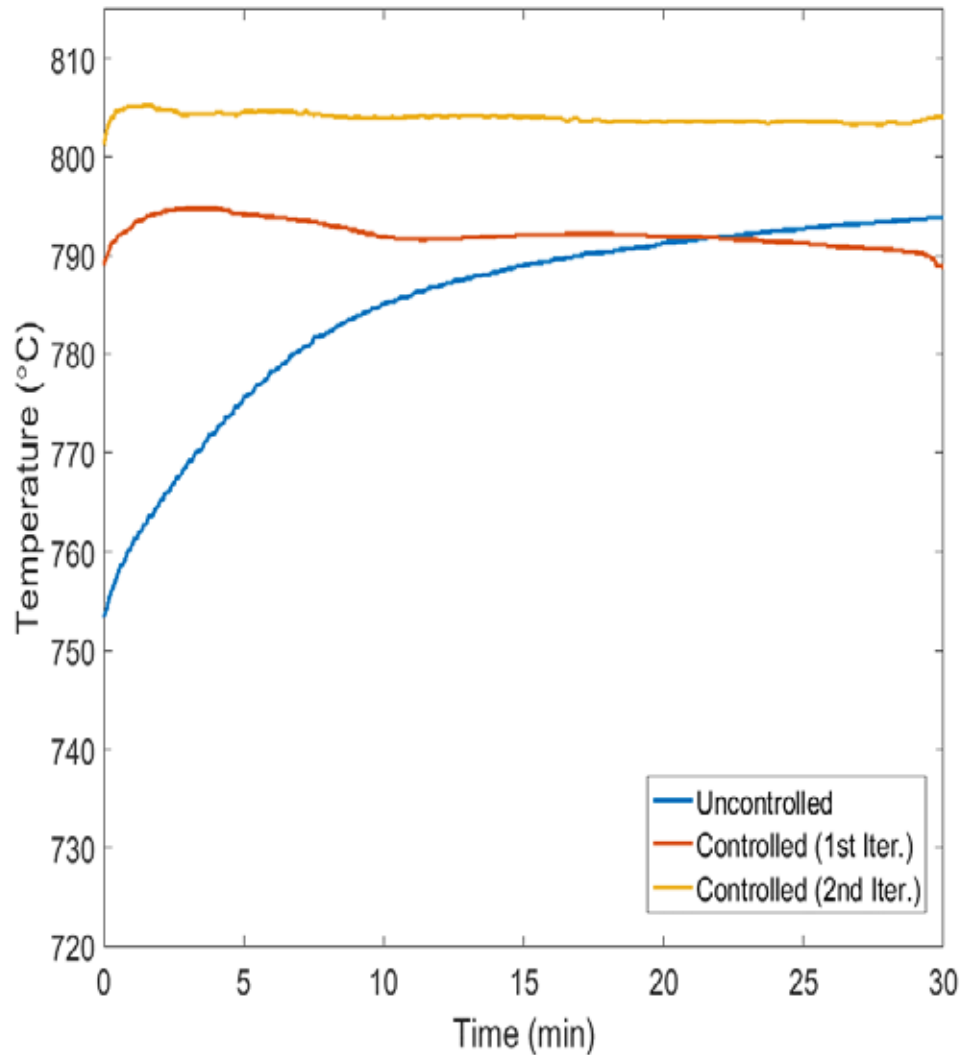
Experimental Setup



Physical (Steam) Activation Parameters

- Temperature
 - Explore range 750 – 900 °C, Most commonly 800 °C
- Time
 - 30 – 75 mins
 - Target mass losses ~50 %
- Water/steam flow rate
 - ~ 1 ml/min – 8 ml/min (laboratory scale)
- Particle size
 - Sub-mm to mm range: 0.6 – 2.36 mm (sieves #8 -#30), based on sizes used by some online vendors such as EniroSupply & Service, Inc., and IndoGerman Carbons Ltd.
- Activation of batches of 20 grams

Iterative learning control for reactor temp.



Characterization Of Activated Carbons

- Surface area
- Porosity Analysis
- SEM Images
- pH
- Fourier Transform Infra Red (FTIR) spectroscopy
- X-ray spectroscopy
- Ultimate/proximate analysis

Ultimate and Proximate Analyses

Peach Pits

Biochar

AC: 0.8g/min_800C_30min

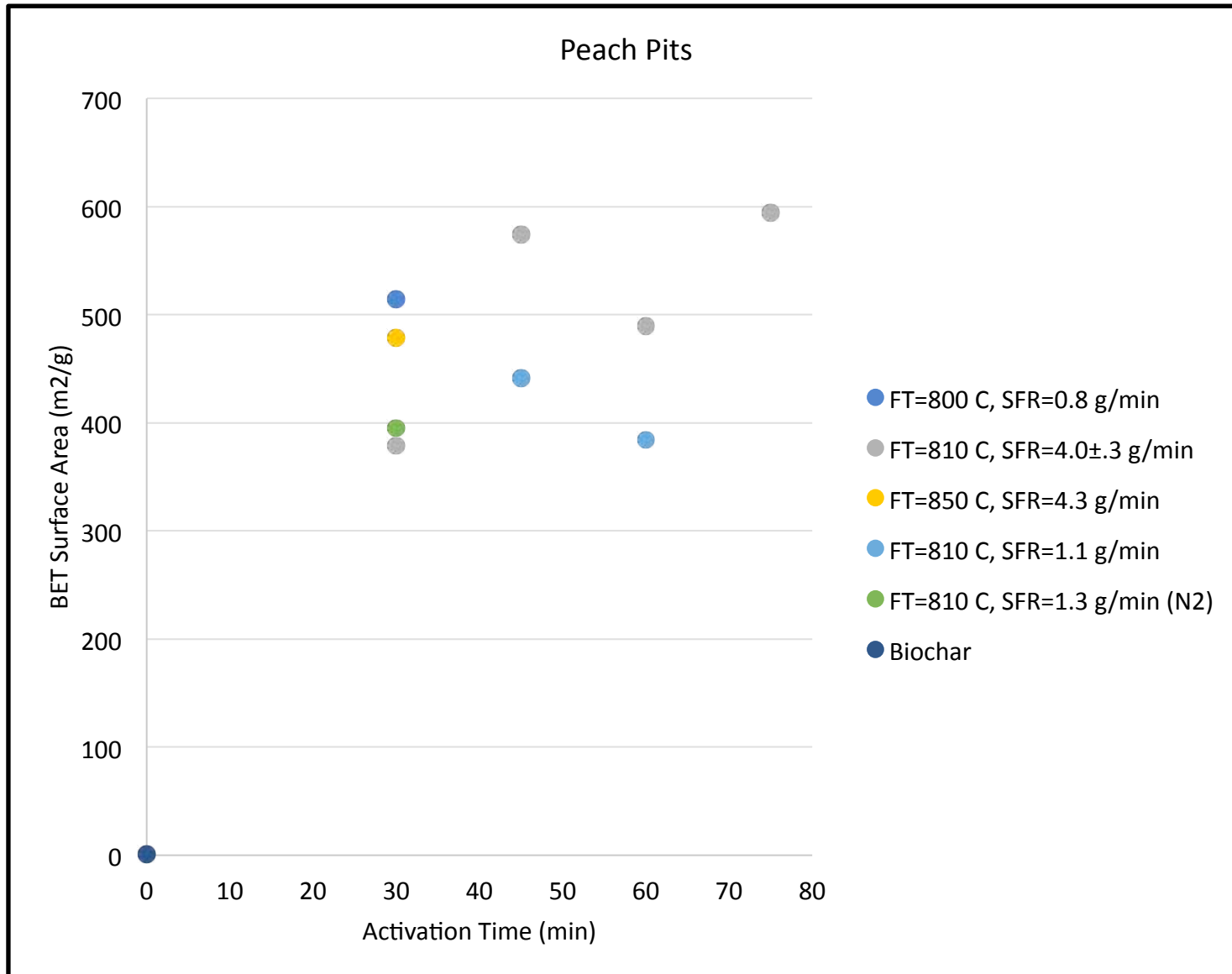
Results as Received

Chlorine	0.100 %
Moisture	1.59 wt %
Ash	20.90 wt %
Volatile Matter	23.41 wt %
Fixed Carbon	54.11 wt %
Carbon	64.58 wt %
Hydrogen	2.47 wt %
Nitrogen	0.57 wt %
Oxygen by Difference	11.36 wt %
Sulfur	0.02 wt %

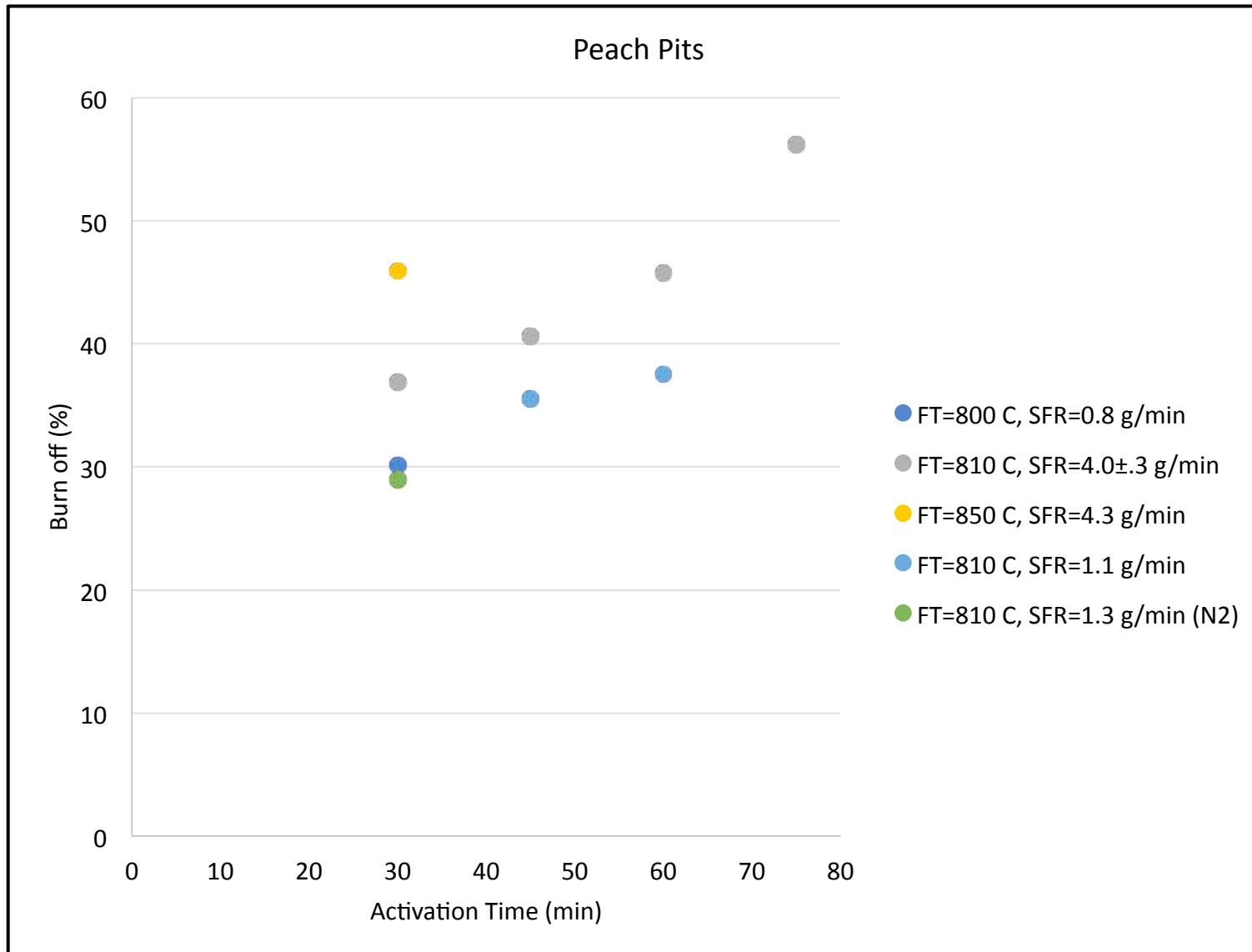
Results as Received

Chlorine	0.0500 %
Moisture	1.01 wt %
Ash	34.65 wt %
Volatile Matter	4.99 wt %
Fixed Carbon	59.35 wt %
Carbon	62.53 wt %
Hydrogen	<0.50 wt %
Nitrogen	0.32 wt %
Oxygen by Difference	2.35 wt %
Sulfur	0.02 wt %

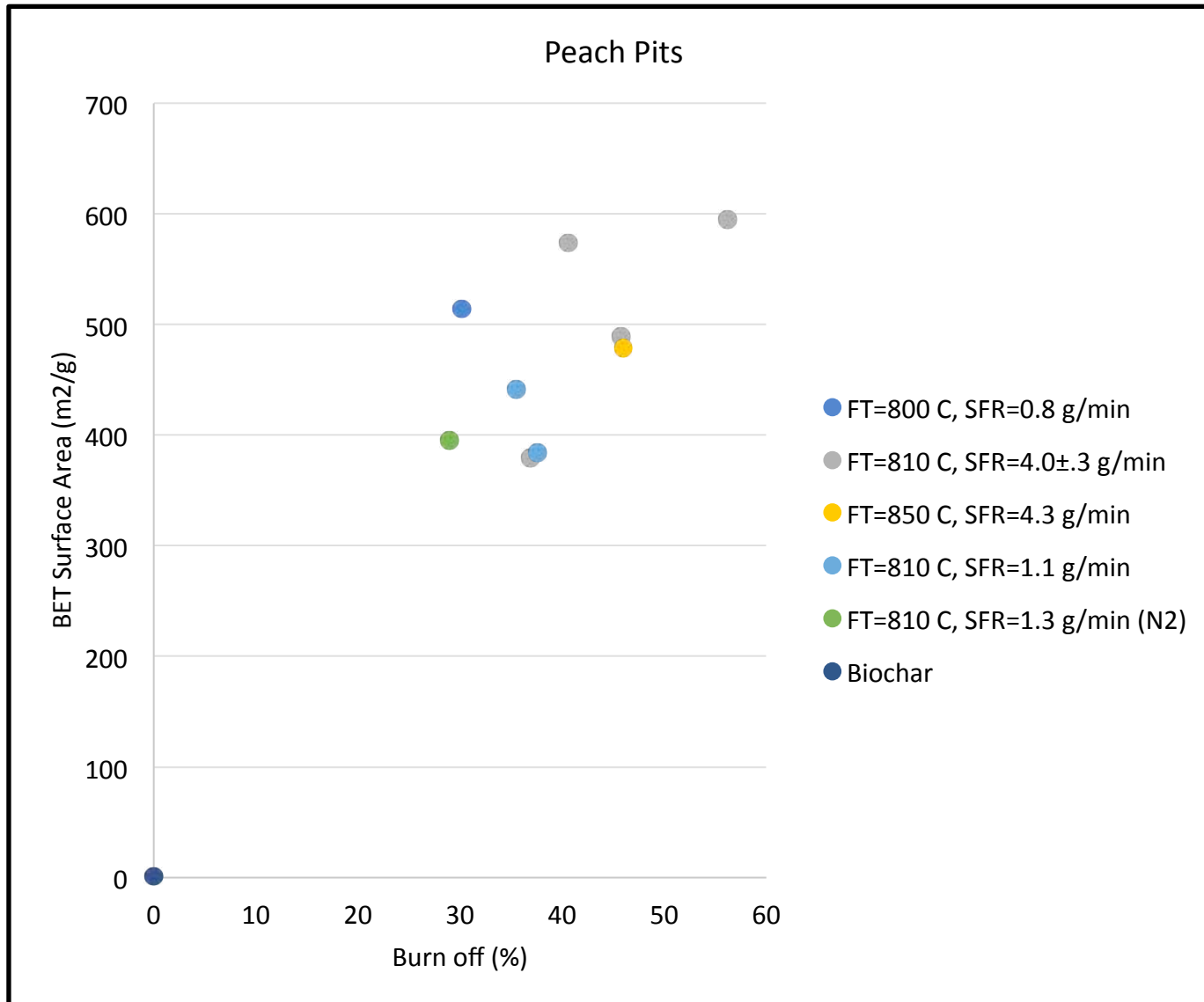
BET Surface Area vs Time



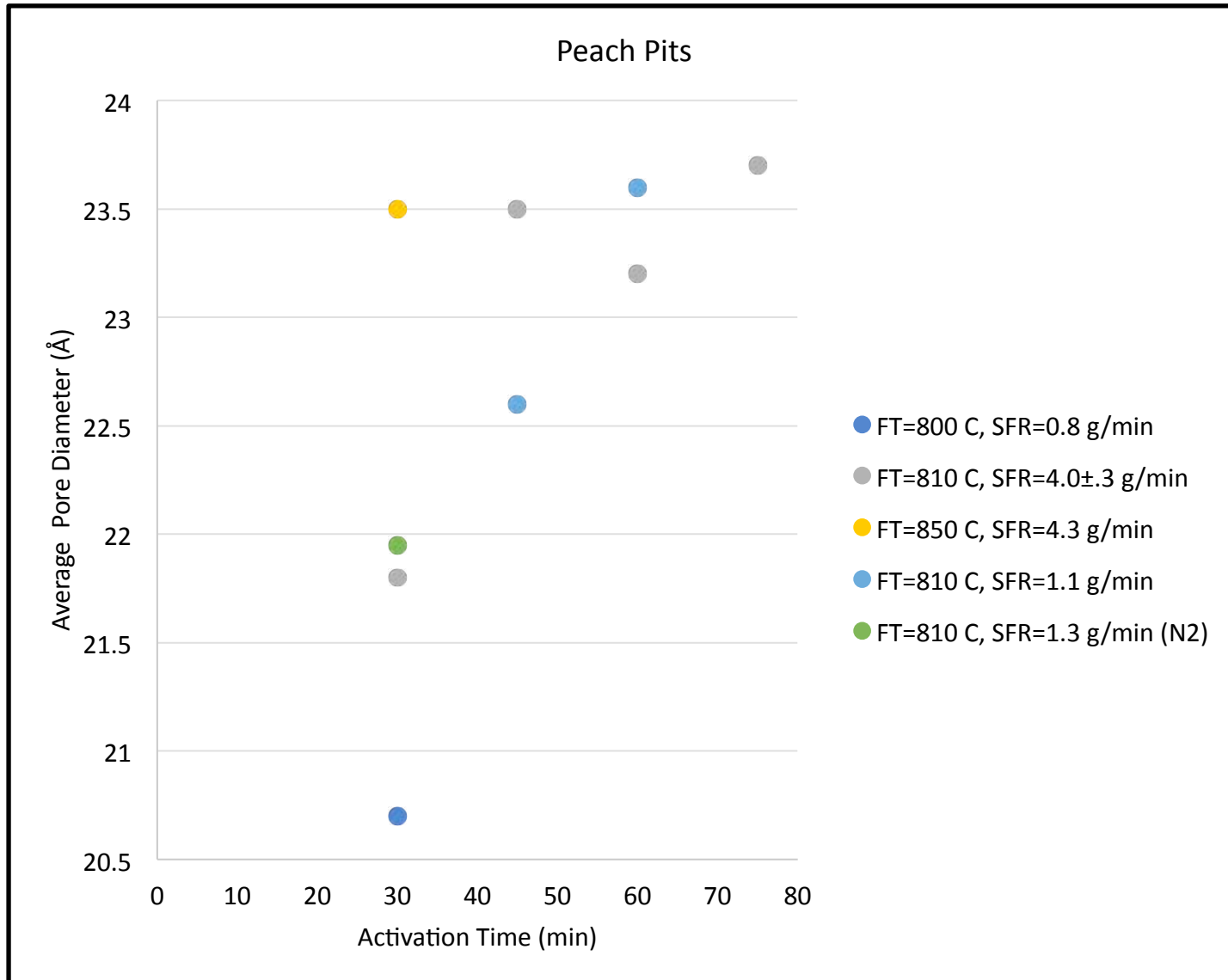
Burn off (%) vs Time



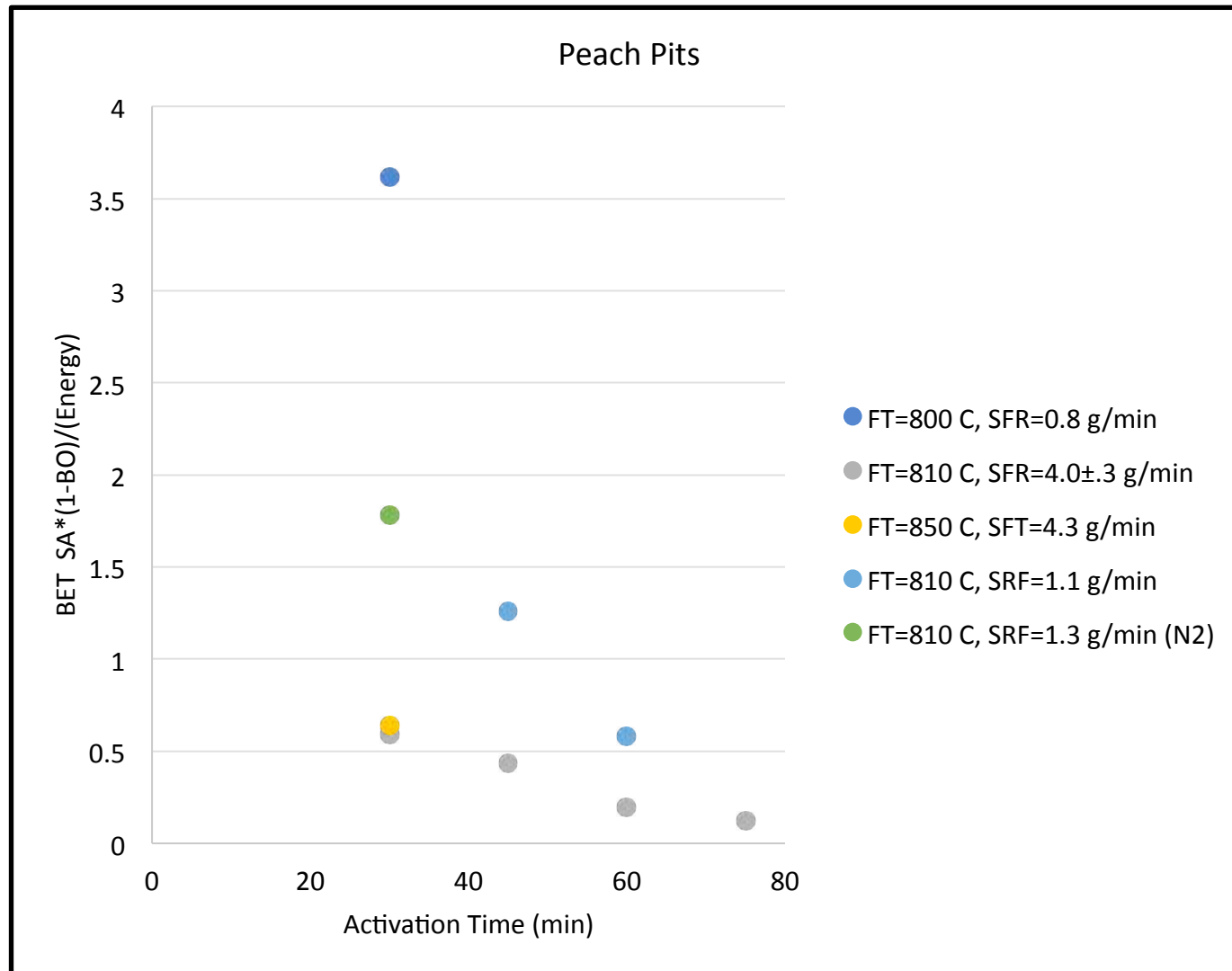
BET Surface area vs Burn off (%)



Average Pore Diameter vs Time



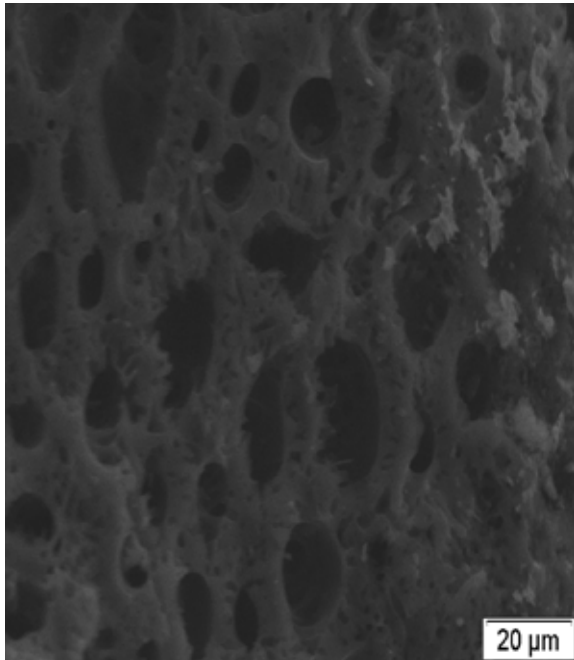
BET (1-BO) / Energy vs Time



SA: Surface Area, BO: Burn off

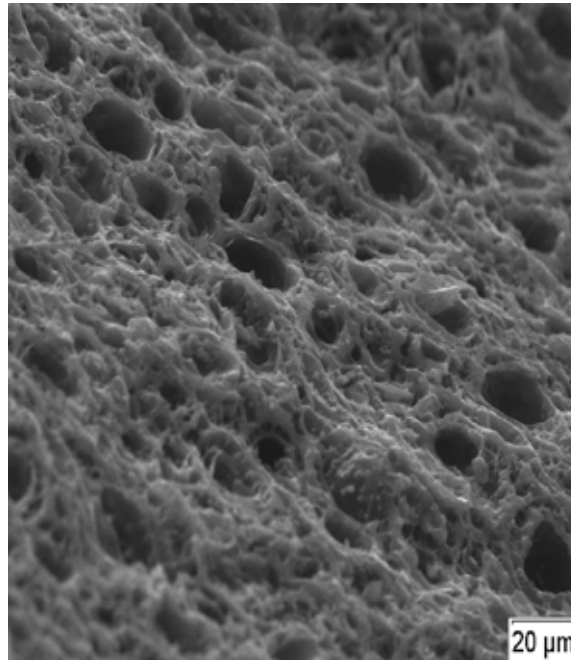
Peach Pits Activated Carbon

Biochar



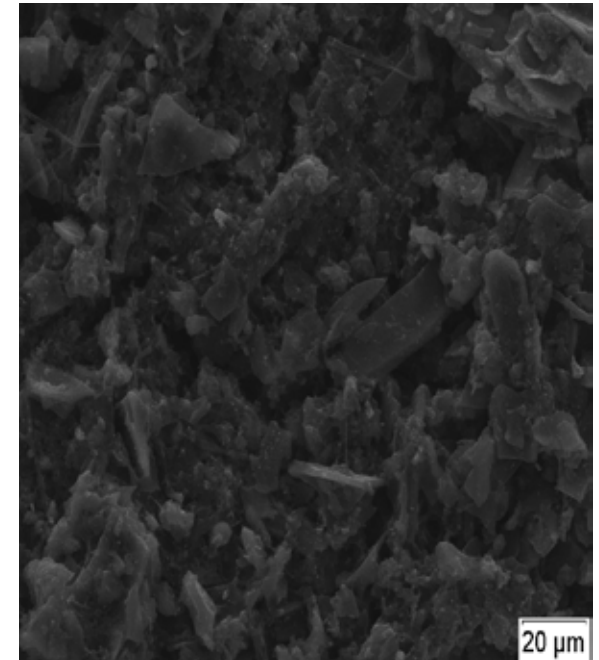
- $A_{\text{BET}} < 1 \text{ m}^2/\text{g}$
- Mean pore size: 52 Å
- Total pore volume: 0.001 cm^3/g

0.8g/min_800
C_30min



- $A_{\text{BET}} 514.1 \text{ m}^2/\text{g}$
- Mean pore size: 20.7 Å
- Total pore volume: 0.27 cm^3/g
- Burn off= 30.2%

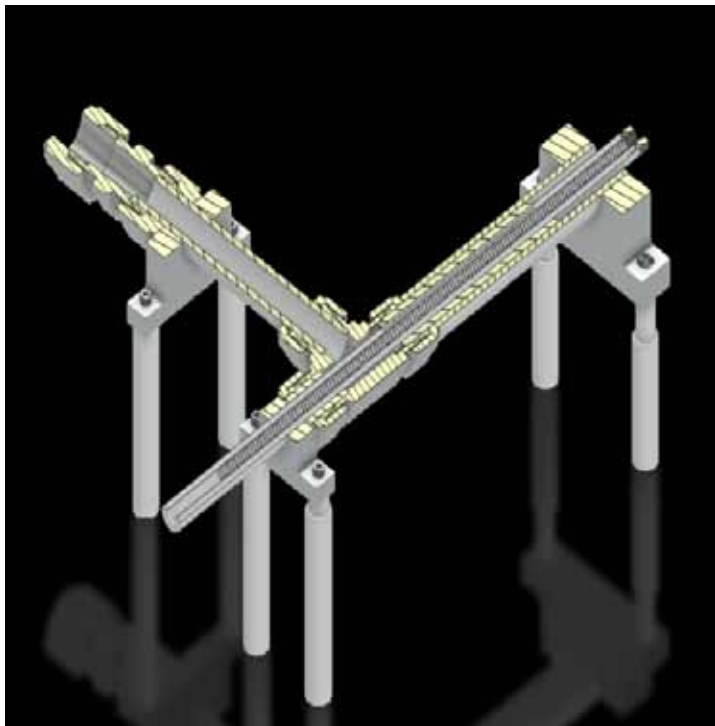
4.2g/min_810
C_75min



- $A_{\text{BET}} 594.4 \text{ m}^2/\text{g}$
- Mean pore size: 23.7 Å
- Total pore vol.: 0.35 cm^3/g
- Burn off= 56.3%

Plasma-Enhanced Biochar Activation

- Lower steam temperature than conventional physical activation
- Use plasma to modify adsorption properties of the biochar
- Reactor with temperature control



- Plasma parameters: Voltage, Power, frequency



Ponderosa Pine

Results coming soon!

Acknowledgements

We would like to thank the US Forest Service Wood Innovation Grant, the California Energy Commission and the USDA for providing the funding for this project, and Phoenix Energy for providing the biochar

We would also like to thank Andres Munoz-Hernandez, Viacheslav Plotnikov, Sina Dehghan, Hector Gomez, Juan De Dios Mariscal, Andrew de Los Santos, Jose Rubalcava-Cruz, Genesis Hidalgo, and Alexis Avila for their help in this project.