

PHOENIX ENERGY™

Turning **Biomass** into **Energy** since 2003



Phoenix Energy manufactures & installs on-site biomass waste fueled power plants.

- Our power plants convert waste biomass into a hydrogen rich gas which is used to produce electricity and heat.
- Our primary partners are solid waste operators, agricultural and forest product companies, and wood based manufactures.



Slash burning





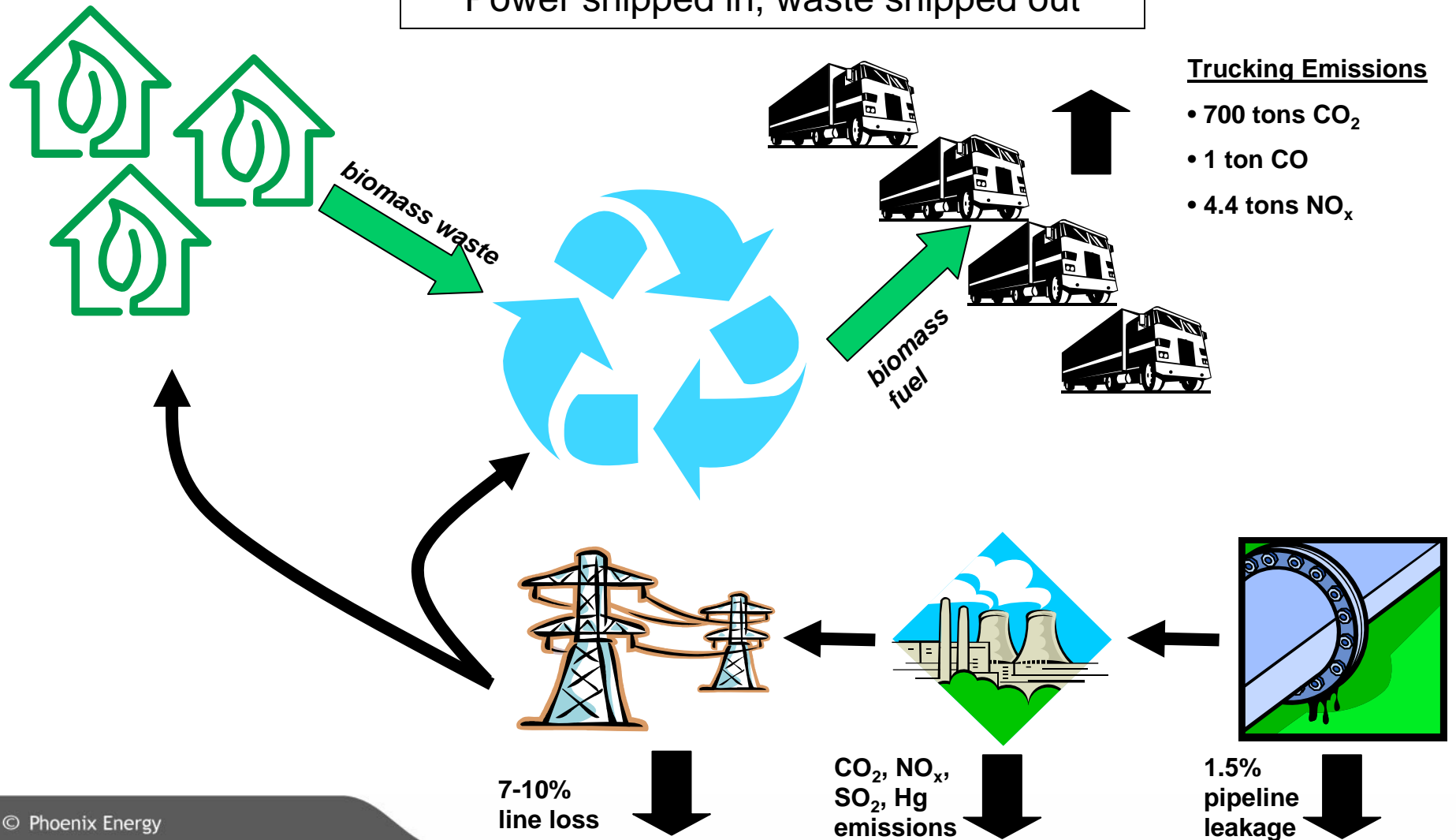


The Problem We Solve

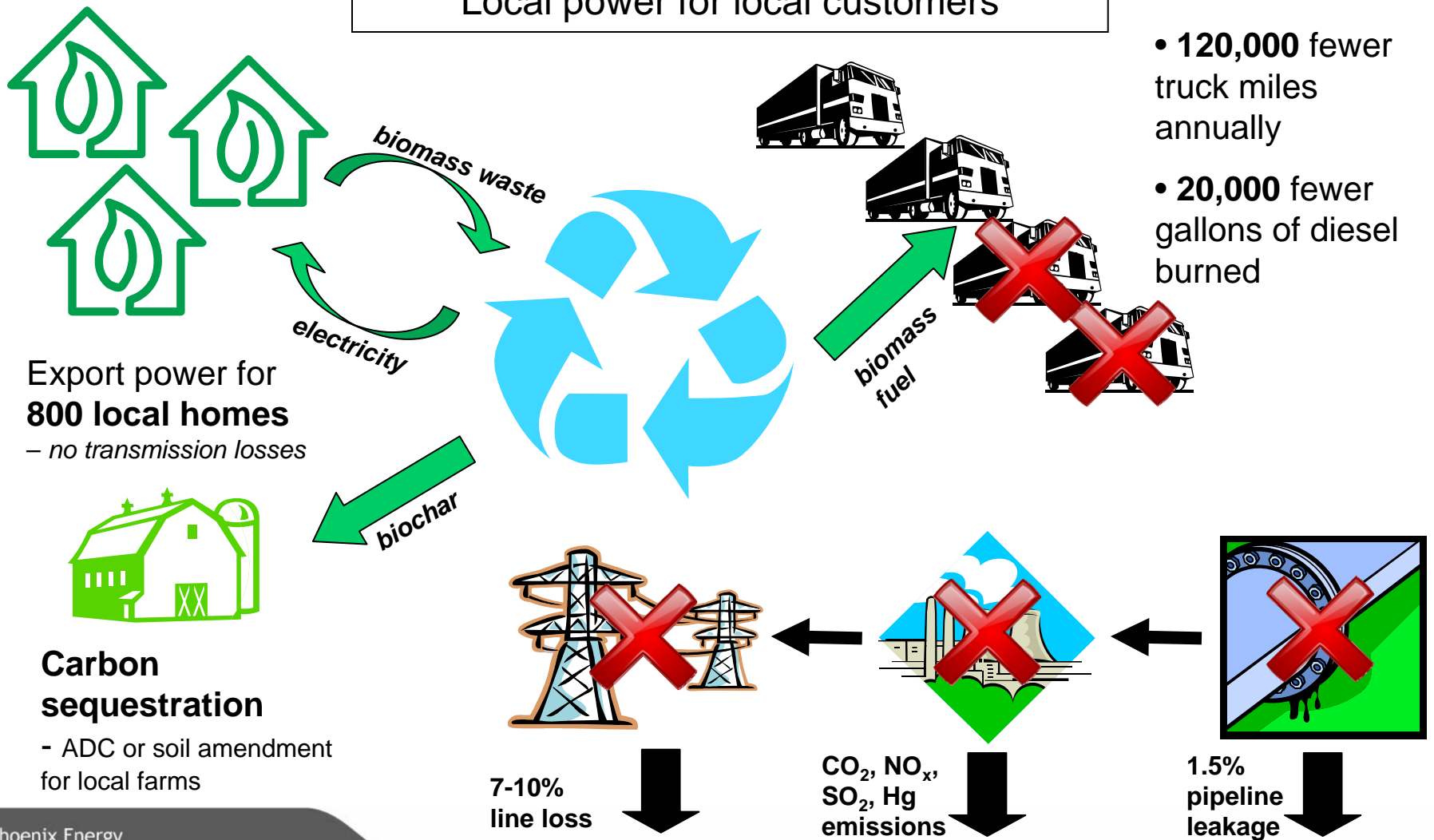
- Eliminate energy costs (heat & electricity)
 - Reduce disposal costs
 - Greening of your enterprise
 - Provide energy security
- Plus!*
- Sell excess electricity back to the grid
 - Receive Renewable Energy Certificates, tax credits, & other incentives
 - Carbon sequestration



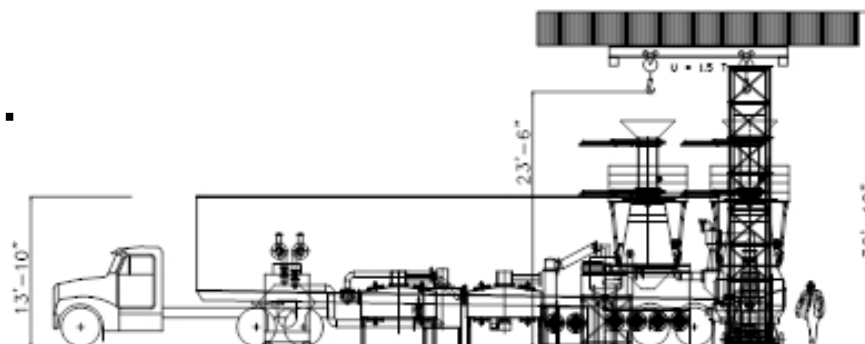
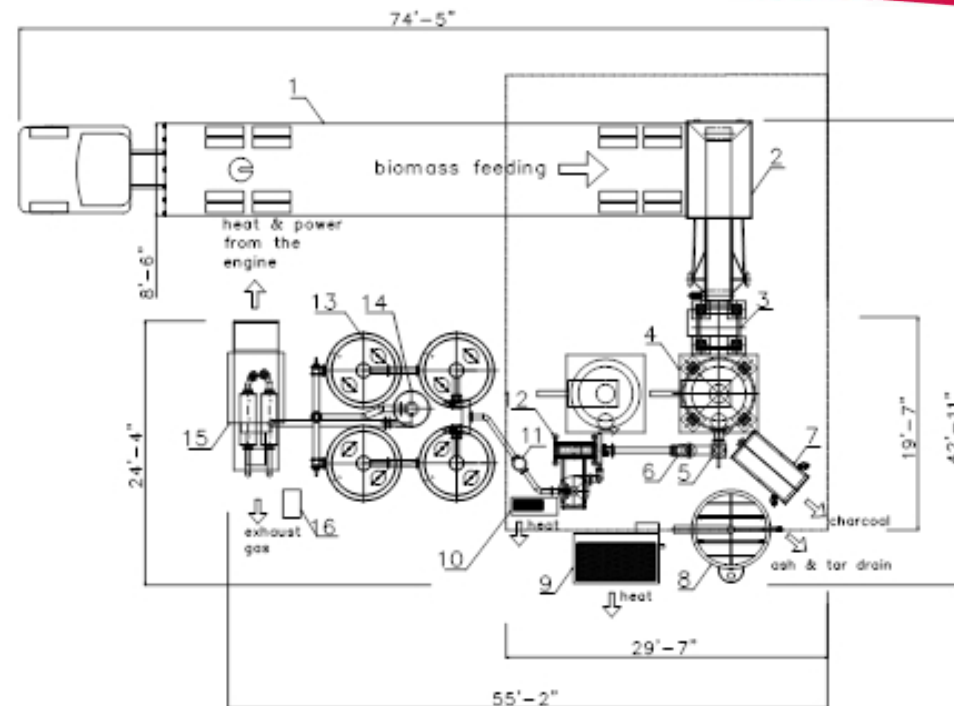
Power shipped in, waste shipped out



Local power for local customers



- Turnkey 1MW biomass power plants
- Tight footprint 80'x30'
- Modular
- Self contained
- Automated
- (and they permit...)
- ...in California)



PHOENIX ENERGY™



PHOENIX ENERGY™



PHOENIX ENERGY™



Why small is beautiful

- NIMBY
- BANANA (build absolutely nothing anywhere near anybody)
- Local³
- Sustainable – don't feed the beast
- Retail v Wholesale

The big challenges

- Interconnection
- Interconnection
- Interconnection
- Dealing with an IOU
- Interconnection
- Access to project finance