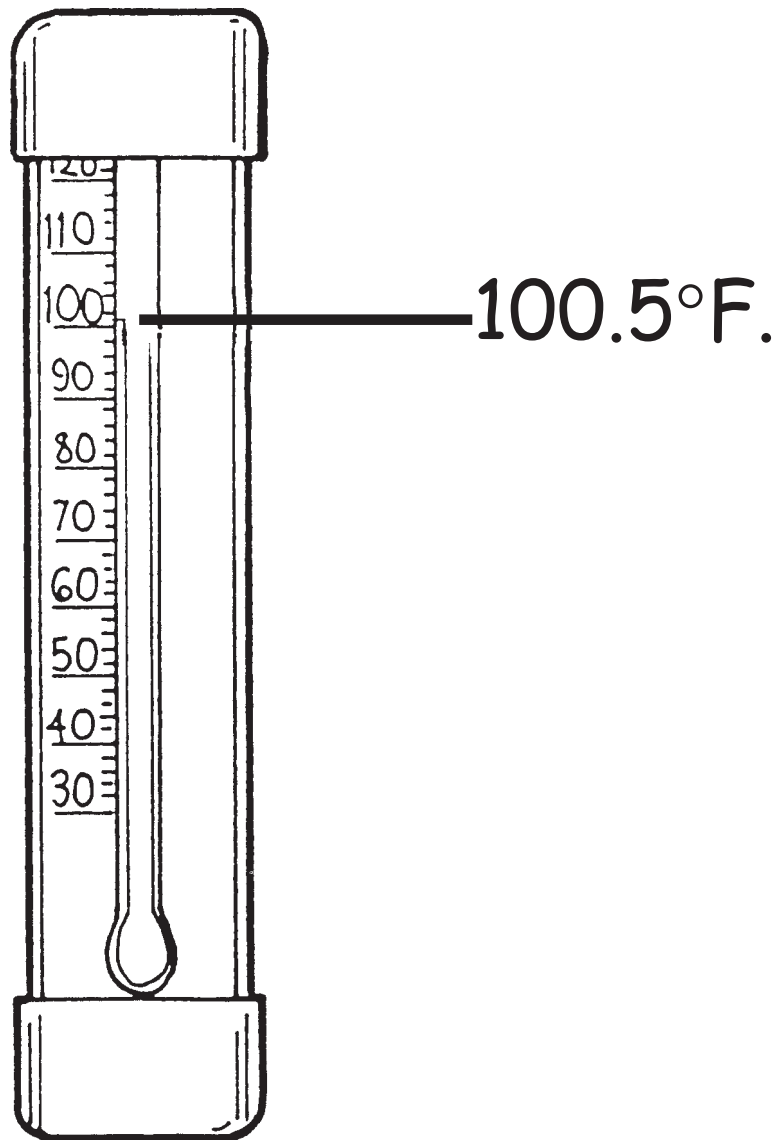


The Thermometer



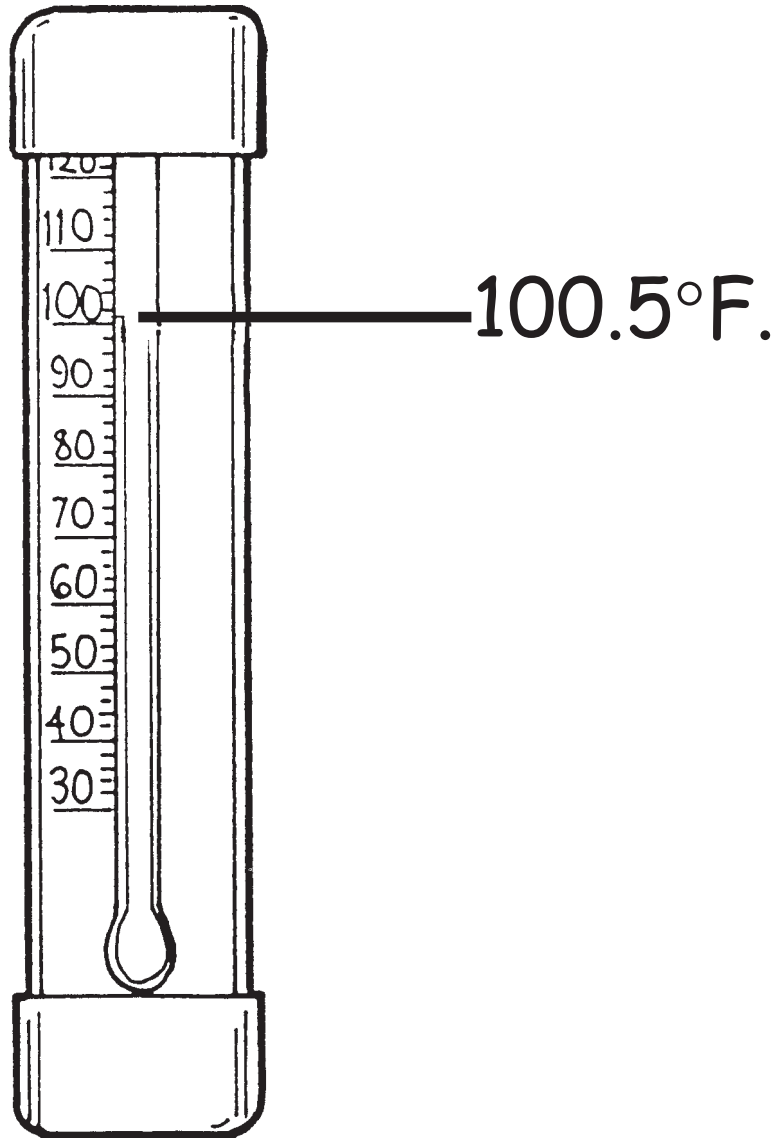
An instrument that measures temperature is a _____.

We tried to keep the temperature at _____. The temperature would _____ when the incubator was opened.

Color the mercury red.

KEY

The Thermometer



An instrument that measures temperature is a thermometer.

We tried to keep the temperature at 100.5°F. The temperature would drop when the incubator was opened.

Color the mercury red.